

MYERS® Quick Draw™ Shallow Well Jet Pumps

Myers® Quick Draw Jet Pumps prime quickly, deliver strong performance, and feature a moisture and insect proof motor for optimum reliable service. These pumps feature a large capacity top suction case and internal priming plate for quick and reliable priming. The motor provides dependable long life to all critical bearings with electrical connections enclosed and protected from potential moisture and insect problems. The 1/2, 3/4 and 1 HP pumps are quick to deliver water for home, farm, commercial and industrial water systems. For more details, contact your local distributor or the Myers sales office at 888-987-8677.

APPLICATIONS

- **Water systems...** home, farm, commercial and industrial

SPECIFICATIONS

- Improved shallow well design
- Cast iron construction
- Corrosion resistant impellers
- 1/2, 3/4 and 1 HP models
- Maximum pressures to 65 PSI
- Flows to 27 GPM



FEATURES

Quick and Easy Priming:

- Faster priming
- Large capacity, top suction case
- Internal priming plate
- Separate priming plug on case

Long Life Motor:

- 115/230 volt with dual voltage selector switch
- Prevents moisture, insect or dirt damage to critical electrical components
- Provides clean, dry environment to electrical components for maximum motor life
- Permanently lubricated double-ball bearings
- Strong capacitor starting torque
- Non-overloading, continuous duty rating
- Internal thermal overload protection

Strong Pump Performance:

- Maximum pressures to 65 psi
- Flow capabilities to 26 gpm
- 1-1/4" suction, 1" discharge on all models

Heavy Duty Pump Case and Motor Bracket:

- High tensile strength cast iron

Easy Serviceability:

- Convenient back pullout design
- Nozzle clean-out and priming fitting

Mechanical Shaft Seal:

- Precision lapped and polished carbon/ceramic faces, buna elastomers, and stainless steel components

Direct Mount Pressure Switch:

- Pre-set at 30/50 psi setting

Corrosion Resistant Design:

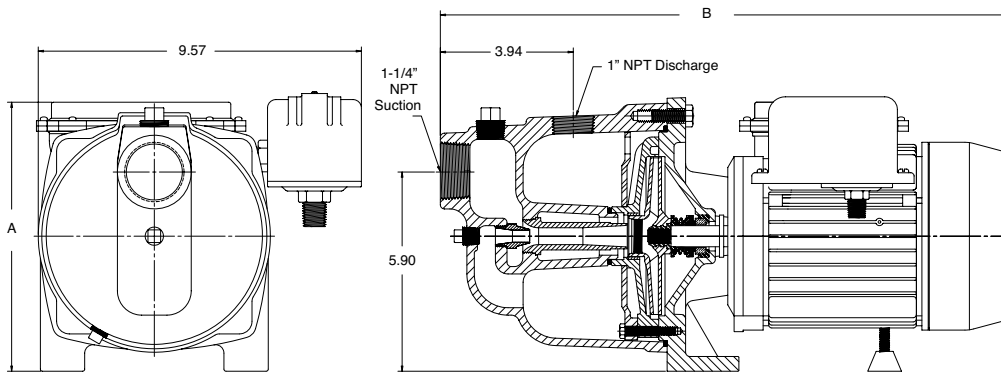
- Engineered reinforced thermoplastic impeller
- Thermoset diffuser with stainless steel wear ring

MYERS® Quick Draw™ Shallow Well Jet Pumps

ORDERING INFORMATION

Pump Catalog No.	HP	Discharge Pressure (Lbs.)	Capacity in U.S. Gallons						Shut-Off Pressure
			Suction Lift						
			0'	5'	10'	15'	20'	25'	
QD50S	1/2	20	12.5	11.5	10.5	9	7.5	6	65 psi
		30	11	10	9.5	8	6.5	5	
		40	9	8	7.5	6	4.5	3	
		50	6.5	5.5	5	4	3	2	
QD75S	3/4	20	20	18	16.5	15	13	10	65 psi
		30	19	17	15.5	14	12	9	
		40	16	14.5	12	11	9	8	
		50	9.5	8.5	7.5	6.5	4.5	3.5	
QD100S	1	20	26.5	24	22	19	16	13	62 psi
		30	25	23	21	18	15	11	
		40	20	18.5	16	13	10.5	7	
		50	12.5	11	9.5	7	5		

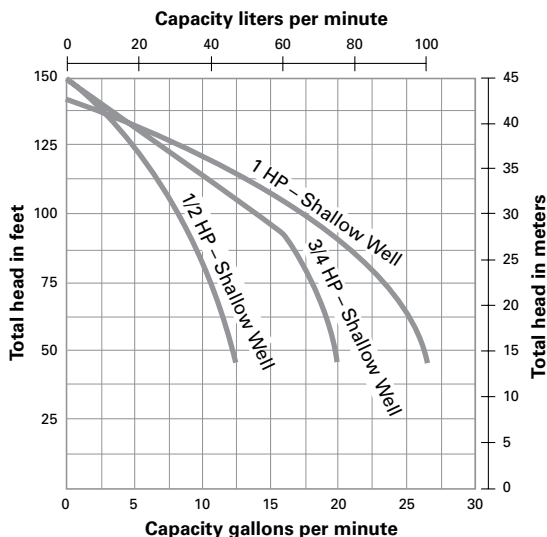
OUTLINE DIMENSIONS



Cat. No.	A	B
QD50S	7.97	16.89
QD75S	8.50	17.86
QD100S	8.50	17.86

Dimensions (in inches) are for estimating purposes only.

PUMP PERFORMANCE



USA 293 WRIGHT STREET, DELAVAN, WI 53115 WWW.FEMEYERS.COM PH: 888-987-8677 ORDERS FAX: 800-426-9446
 CANADA 269 TRILLIUM DRIVE, KITCHENER, ONTARIO, CANADA N2G 4W5 PH: 519-748-5470 ORDERS FAX: 888-606-5484
 Because we are continuously improving our products and services, Pentair reserves the right to change specifications without prior notice.