

CONVEYORS

MERIDIAN



MERIDIAN

CONVEYORS



FAST BUT GENTLE ENOUGH FOR SEED, MERIDIAN'S BIN FILL CONVEYORS REDEFINE EFFICIENCY.
 20-110 WITH SWING OUT PICTURED

10" Tube
20" Belt
 UP TO **9,000BPH**



TRANSPORT DIMENSIONS

Model	Axle Width		Transport Hitch		Transport Swing Hitch	
	Retracted	Extended	Height (A)	Length (B)	Height (A)	Length (B)
2080	12'-6"		10'-6"	57'-6"	11'-9"	57'-6"
2090	12'-6"		11'-6"	67'-6"	12'-6"	67'-6"
20100	14'	18'	11'	73'-6"	12'-6"	73'-6"
20110	14'	18'	10'-9"	83'-4"	12'	83'-4"
20120	14'	18'	11'-3"	89'	12'-6"	89'

BIN FILL SERIES

WORKING DIMENSIONS

Model	15°		20°		25°		30°	
	Height (A)	Length (B)	Height (A)	Length (B)	Height (A)	Length (B)	Height (A)	Length (B)
2080	18'-10"	77'-11"	25'-8"	76'	32'-2"	73'-5"	38'-7"	70'-4"
2090	21'-5"	88'-2"	29'-1"	86'	36'-5"	83'-2"	43'-7"	79'-1"
20100	24'	97'-3"	32'-6"	94'-10"	40'-8"	91'-7"	48'-7"	87'-8"
20110	26'-8"	106'-11"	36'-1"	104'-2"	45'	100'-8"	53'-8"	96'-4"
20120	29'	115'-7"	39'-1"	112'-8"	48'-9"	108'-10"	58'-1"	104'-2"



Meridian Bin Fill conveyors are the fast and efficient way to fill your bins. They are available in lengths up to 120' with PTO or electric drive. Their unique hopper design ensures maximum capacity with minimal spillage.

STANDARD FEATURES:

- Collapsible hopper intake
- Adjustable discharge spout
- Heavy duty undercarriage
- 4-way hydraulic swing hitch

OPTIONAL FEATURES:

- Electric and PTO power sources
- Electric clutch
- Poly-Flex down spout
- LED light kit
- 5' low profile collapsible hopper intake



MAXIMIZE YOUR SPEED AND MINIMIZE YOUR MESS WITH MERIDIAN'S LOW PROFILE STRAIGHT HOPPERS
 — 20-45 PICTURED —

10" Tube
20" Belt

UP TO **12,000BPH**



20-45



20-45 WITH MOVER

TRUCK LOAD SERIES

Model	Axle Width	Transport Height	Transport Length	15°		20°		25°		30°		35°	
				Height (A)	Length (B)	Height (A)	Length (B)	Height (A)	Length (B)	Height (A)	Length (B)	Height (A)	Length (B)
2045	8'	11'-9"	42'	N/A	N/A	12'-11"	44'-4"	16'-9"	43'	20'-8"	41'-4"	24'-1**	39'-6**
2055	8'	12'-6"	52'	11'-7"	54'-11"	16'-4"	53'-8"	21'	52'-1"	25'-9**	49'-11**	N/A	N/A



At up to 12,000BPH, Meridian Truck Load Conveyors are available in lengths of 45 and 55 feet, and come with a 10" diameter tube and a 20" wide belt. They're great for loading trucks on the farm, at the seed plant or filling the air seeder cart in the field. With its high capacity and gentle handling of your commodity you can save time and money with the Truck Loader Series.

- STANDARD FEATURES:**
- 5' low profile collapsible hopper intake
 - Adjustable discharge spout
 - Heavy duty scissor lift undercarriage
 - Truss free tube design

- OPTIONAL FEATURES:**
- Gas, diesel and electric power sources available for all lengths
 - Electric clutch
 - Poly-Flex down spout
 - LED light kit

- MOVER KIT FEATURES**
 Hydraulic Conveyor Mover Kit for all lengths c/w the following standard features:
- Joystick power steering
 - Hydraulic lift for transport

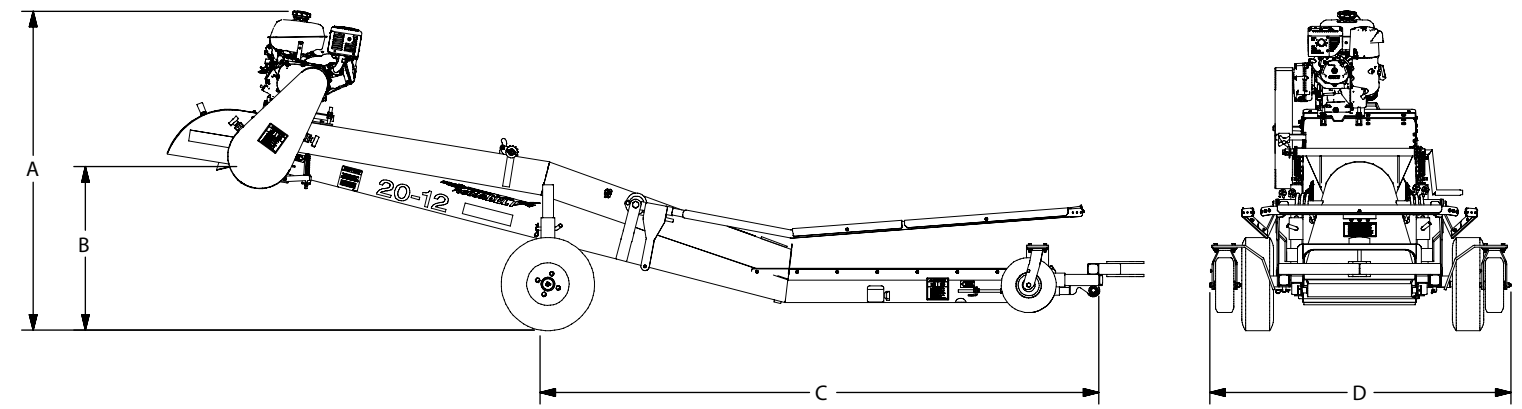
20-12 JUMP CONVEYOR



**SIMPLE, VERSATILE AND FAST:
MERIDIAN 20-21 JUMP CONVEYOR**

10" Tube
20" Belt

UP TO
10,000BPH



Model	Dimension	Minimum	Maximum
Gas	A	5' 2"	6' 0"
	B	2' 10"	4' 0"
	C	8' 5"	
	D	4' 8"	
Electric	A	4' 8"	5' 4"
	B	2' 10"	4' 0"
	C	8' 5"	
	D	4' 8"	



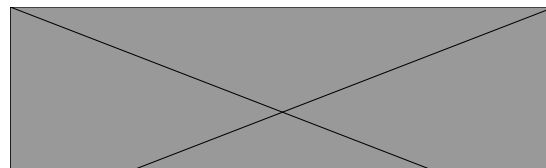
The Meridian JU20-12 is a fast, simple and versatile Jump Conveyor, offering high capacities and easy placement for transferring product. The JU20-12 features a 10" tube, 20" Chevron belt, collapsible intake hopper and dual swivel wheels for easy positioning.

STANDARD FEATURES:

- 10" Tube with 20" Belt
- Up to 10,000 Bushel Capacity
- Height adjustable undercarriage
- Removable drawbar hitch for better accessibility
- Collapsible intake hopper
- Dual swivel wheels for easy positioning

OPTIONAL FEATURES:

- 9HP Kohler Gas Drive
- 5HP Electric Drive
- Hopper Cover



PEOPLE. PRODUCTS. PERFORMANCE.

meridianmfg.com | conveyors@meridianmfg.com | (800) 667-5904